

Dynapac CC2200

Double drum vibratory rollers




Technical data



Masses

Max. operating mass	19,800 lbs
Operating mass (incl. ROPS)	16,800 lbs
Operating mass (incl. Cab)	18,298 lbs
Module mass (front/rear)	8,400 lbs/8,400 lbs



Propulsion

Speed range	0 -7.5
Vertical oscillation	±7°
Theor. gradeability	42 %



Compaction

Centrifugal force (high/low amplitude)	17,540 lb/15,060 lb
Nominal amplitude (high/low)	0.03 in/0.01 in
Static linear load (front/rear)	142 lbs/in/142 lbs/in
Vibration frequency (high/low amplitude)	2,880 vpm/4,020 vpm
Water tank	198 gal



Engine

Manufacturer/Model	Deutz TCD 3.6 IIIB/T4i
Rated power, SAE J1995	100 hp @ 2,200 rpm
Fuel tank capacity	34 gal



Hydraulic system

Driving	Axial piston pump with variable displacement. Axial piston motors (2) with variable displacement.
Vibration	Axial piston pumps (2) with variable displacement. Axial piston motors (2) with constant displacement.
Steering	Gear pump with constant displacement.
Service brake	Hydrostatic in forward and reverse lever.
Parking/Emergency brake	Failsafe multidisc brake in both drums.

Find us locally at www.atlascopco.com

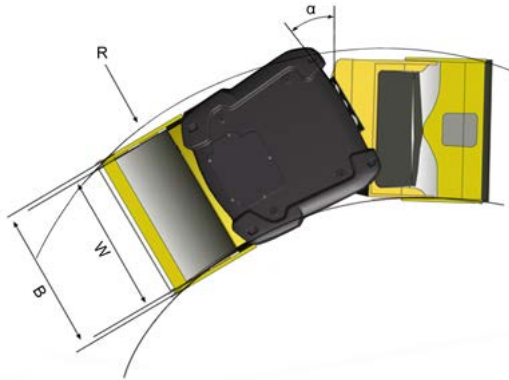
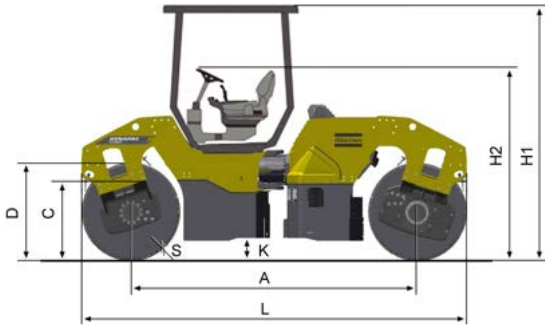
We reserve the right to change specifications without notice. Photos and illustrations do not always show standard versions of machines. The above information is a general description only, all informations are supplied without liability.

rce_cc2200_us-20150924.120318.pdf 2015-09-24 12:03

Dynapac CC2200

Double drum vibratory rollers

Technical data



Dimensions

A. Wheelbase	131 in
B. Width	100 in
C. Curb clearance	28 in
D. Drum diameter	45 in
H1. Height, with ROPS/cab	118 in
H2. Height, w/o ROPS/cab	90 in
K. Ground clearance	11 in
L. Length	177 in
R. Turning radius, outside	17 ft
S. Drum shell thickness	0.7 in
W. Drum width	59 in
α. Steering angle	±32°



Standard equipment

- Automatic vibration control (AVC)
- Automatic water control (AWC)
- Back-up alarm
- Display: Engine temp, Fuel level, Frequency/impactometer, Hydr. temp, Speedometer, Tachometer, Voltage, VPM, Water level
- Filters for sprinkler system
- Hydraulic check points
- Lunch box holder
- Operator platform, shock mounted
- Pressurized sprinkler system
- ROPS canopy w/suspension seat & 3" seat belt
- Rotating beacon
- Sliding and swiveling operator's platform
- Spring loaded scrapers
- Sprinkler timer
- Sprinkler system additional (Two bars per drum)
- Steering wheel tilt able
- Vandal cover for instrument panel
- Vibration quick stop
- Vibration shut off front or rear drum
- Warning lights: Air cleaner, Brake, Clogged hyd. fluid filter, Engine oil pressure/temp, Hyd oil temp, Low charge, Low fuel
- Working lights, Rops mounted



Optional equipment

- Asphalt Temp Meter
- Compaction Analyzer
- Drum Edge Lights
- Whisper Cab Package

Find us locally at www.atlascopco.com

We reserve the right to change specifications without notice. Photos and illustrations do not always show standard versions of machines. The above information is a general description only, all informations are supplied without liability.

rce_cc2200_us-20150924.120318.pdf 2015-09-24 12:03