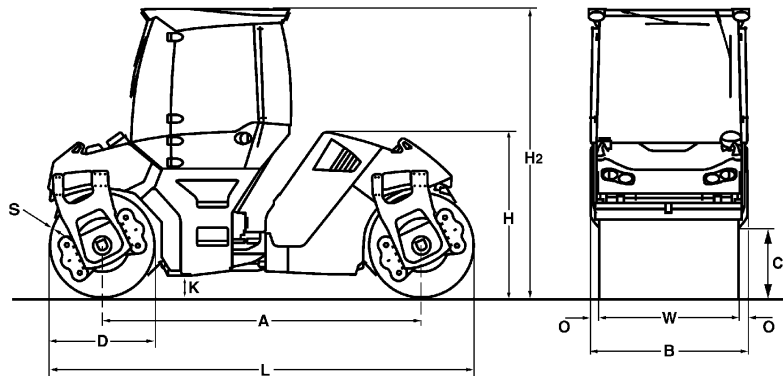


# TECHNICAL DATA

TANDEM ROLLERS

BW 141 AD-5, BW 151 AD-5, BW 154 AD-5





**Dimensions in in**

	<b>A</b>	<b>B</b>	<b>C</b>	<b>D</b>	<b>H</b>	<b>H2</b>	<b>K</b>	<b>L</b>	<b>O</b>	<b>S</b>	<b>W</b>
<b>BW 141 AD-5</b>	129.9	65.5	28.7	43.3	88.2	118.1	9.8	173.2	3.2	0.6	59.1
<b>BW 151 AD-5</b>	129.9	74.2	28.7	43.3	86.6	118.1	9.8	173.2	3.2	0.6	66.1
<b>BW 154 AD-5</b>	129.9	74.2	28.7	43.3	88.2	118.1	9.8	173.2	3.2	0.6	66.1

**Shipping dimensions in cub.yd**

**BW 141 AD-5**  
**BW 151 AD-5**  
**BW 154 AD-5**

**without ROPS**

21.443  
 23.336  
 23.767

**with ROPS**

28.712  
 31.824  
 31.824

<b>Machine type</b>	<b>Compaction output (cub.yd/h) at recommended soil layer thicknesses</b>		
	<b>Gravel, sand</b>	<b>Mixed soil</b>	<b>Silt, clay</b>
BW 141 AD-5	183.1-366.2	157.0-327.0	85.0-170.0
BW 151 AD-5	209.3-418.5	196.2-392.4	98.1-196.2

<b>Machine type</b>	<b>Compaction output (t/h) at different asphalt layer thicknesses</b>		
	<b>0.8-1.6 in</b>	<b>2.4-3.1 in</b>	<b>3.9-5.5 in</b>
BW 141 AD-5	35-70	70-150	100-180
BW 151 AD-5	40-80	80-170	120-200
BW 154 AD-5	40-80	80-170	120-200

**Technical Data****BOMAG  
BW 141 AD-5****BOMAG  
BW 151 AD-5****BOMAG  
BW 154 AD-5****Weights**

Operating weight CECE w. cab. ....	lb	15,212	16,755	18,298
Axle load, front CECE .....	lb	7,848	8,598	9,370
Axle load, rear CECE .....	lb	7,363	8,157	8,929
Static linear load, front CECE .....	lb/in	132.7	130.0	141.7
Static linear load, rear CECE .....	lb/in	124.9	123.2	135.0
Grossweight .....	lb	19,180	20,503	21,826

**Dimensions**

Track radius, inner .....	in	176.4	172.8	172.8
---------------------------	----	-------	-------	-------

**Drums**

Split drum .....		no	no	front + rear
------------------	--	----	----	--------------

**Driving Characteristics**

Max. travel speed .....	mph	0- 7.5	0- 7.5	0- 7.5
Max. gradeability without/with vibr. ...	%	40/30	40/30	36/30

**Drive**

Engine manufacturer .....		Kubota	Kubota	Kubota
Type .....		V3307 CR-T	V3307 CR-T	V3307 CR-T
Emission stage .....		3b/4	3b/4	3b/4
Cooling .....		water	water	water
Number of cylinders .....		4	4	4
Performance ISO 14396 .....	kW	55.4	55.4	55.4
Speed .....	min-1	2,400	2,400	2,400
Electric equipment .....	V	12	12	12

**Brakes**

Service brake .....		hydrost.	hydrost.	hydrost.
Parking brake .....		multi disc	multi disc	multi disc

**Steering**

Steering system .....		oscil.artic.	oscil.artic.	oscil.artic.
-----------------------	--	--------------	--------------	--------------

**Exciter system**

Vibrating drum .....		front + rear	front + rear	front + rear
Autom. vibr. shut off .....		standard	standard	standard
Frequency .....	vpm	2,700/3,300	2,700/3,300	2,700/3,300
Amplitude .....	in	0.028/0.011	0.027/0.010	0.024/0.012
Centrifugal force .....	lb	16,861/10,116	16,861/10,116	20,008/14,613
Centrifugal force .....	t	7.6/4.6	7.6/4.6	9.1/6.6

**Capacities**

Fuel .....	gal	33.0	33.0	33.0
Water .....	gal	158.5	158.5	158.5

Technical modifications reserved. Machines may be shown with options.

### Standard Equipment

- 2 amplitudes / 2 frequencies
- ECOMODE
- Autom. vibration operation
- Individual vibration control
- Driver's seat, slewable
  - laterally slidable with steering wheel
- Emergency stop button
- On-board computer
  - engine speed
  - Speedometer
  - Fuel consumption
  - Engine temperature
- V-belt protection
- Pressure sprinkling system with 2 pumps
- Indicator and hazard lights
- Back-up alarm
- Battery disconnect switch
- Compartments for documents and tools

### Optional Equipment

- ROPS cabin with seat belts
  - + heating, Ventilation
  - + 4 Working head lights
- ROPS cabin with air conditioning
- Rotary beacon
- Crab-walk to both sides (6.7in)
- 2 LED-lights for cabin roof (flatbeam)
- Edge cutter
- Special painting
- Environmentally compliant hydraulic oil
- Radio/Radio preparation
- ROPS/FOPS with safety belt
- Precision spreader BS150 laterally slidable
- Asphalt temperature display
- Additional weight 600kg (BW151AD-5)
- Lighting for drum edge front and rear
- Seat heating
- Frequency 4,200vpm
- Approval by the German TÜV
- BOMAG TELEMATIC POWER
- Outside mirrors
- ECONOMIZER
- BCM-Documentation system

